

## Companion Two Seat Soaking Walk In Bathtub



03085 Center Drain Only

Actual Size: 30.25 W x 59.75 L x 37 H  
Shipping Size: 35 W x 65 L x 45 H  
Shipping Weight: 260 lbs.  
Net Weight: 160 lbs.  
Water Capacity: 95 gal. US (unoccupied)  
45-65 gal. US (occupied)

#### Options:

- Dual Massage
- 5 Piece Fast Fill Roman Faucet Set (Hot, Cold, Diverter, Hand Shower, Tub Spout)
- 5 Piece Traditional Roman Faucet Set (Hot, Cold, Diverter, Hand Shower, Tub Spout)

#### Included Features:

1. Tub Shell - Acrylic Tub Shell:
  - High quality cast acrylic grade A
  - Excellent color uniformity
  - High Gloss White Finish
  - 5 mm cast acrylic sheet
  - Fiberglass Reinforced
2. Stainless Steel Frame
3. Low threshold step in 9.5 with the option to lower to 6.5
4. Seat Width: 20.25
5. Seven (7) adjustable heavy duty leveling legs for stainless steel frame support
6. Stainless steel and tempered glass door, door frame and door seal gasket
7. Removable door for easy cleaning
8. Deck mount safety grab bar
9. Two (2) removable rubber back support (white)
10. Two (2) front, one (1) toe kick and one (1) side removable access panels

#### Plumbing:

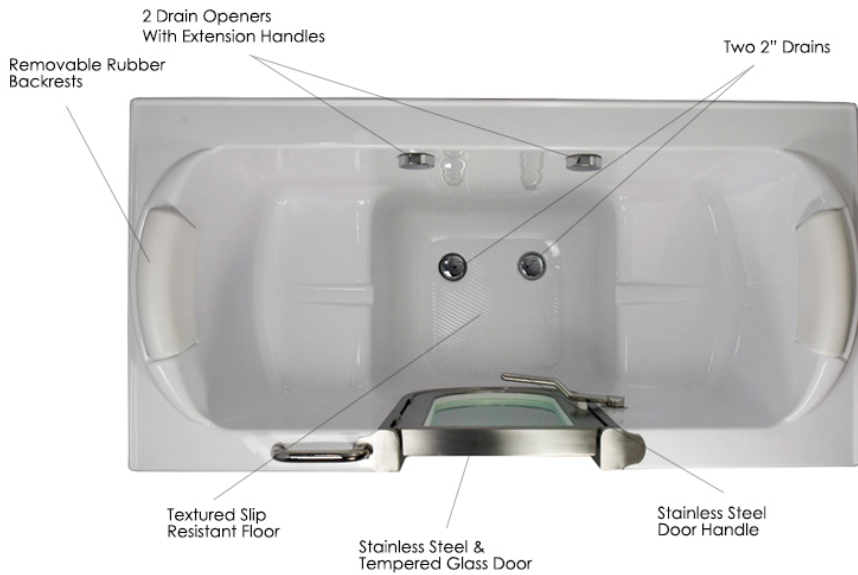
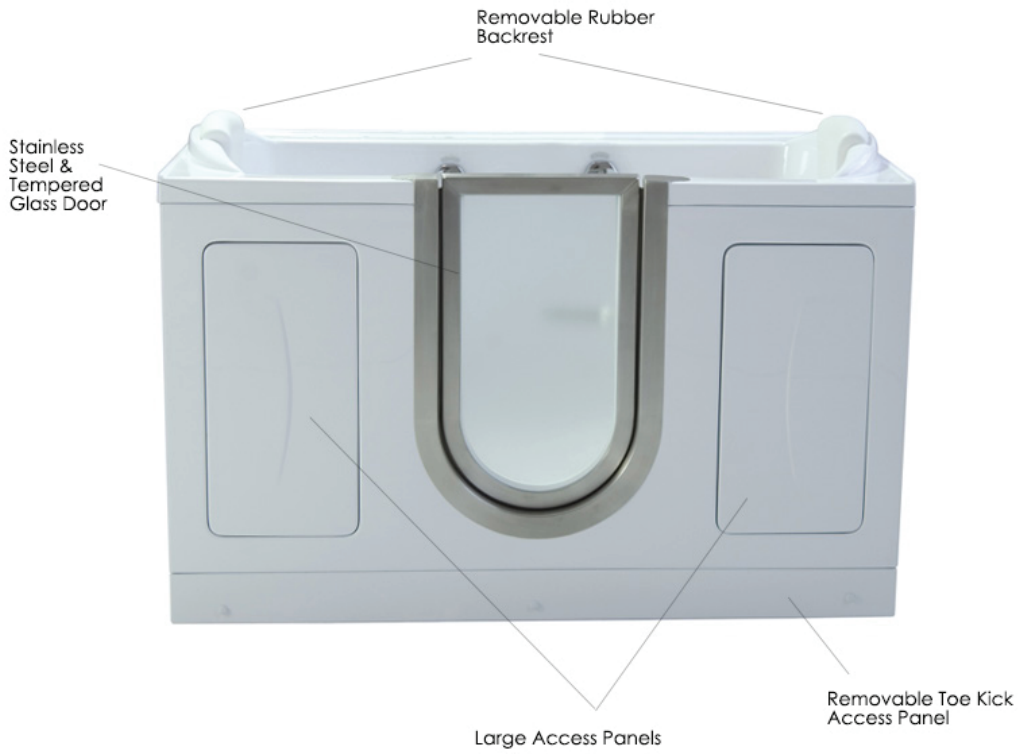
- Two (2) x 2 floor drains with 2 overflows and 2 ADA compliant stainless steel cable operated openers with extension handles
- Drainage time +/- 80 seconds to over flow
- Two (2) PVC 2 drain elbows with 2 opening

#### Warranty:

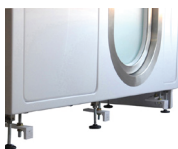
- Lifetime limited warranty on frame, door, door seal gasket and acrylic walk in tub shell
- 5 Year parts warranty\*

\*For more information please visit [www.ellabubbles.com](http://www.ellabubbles.com)

# Companion Two Seat Soaking Walk In Bathtub Features



Panel On



Panel Off

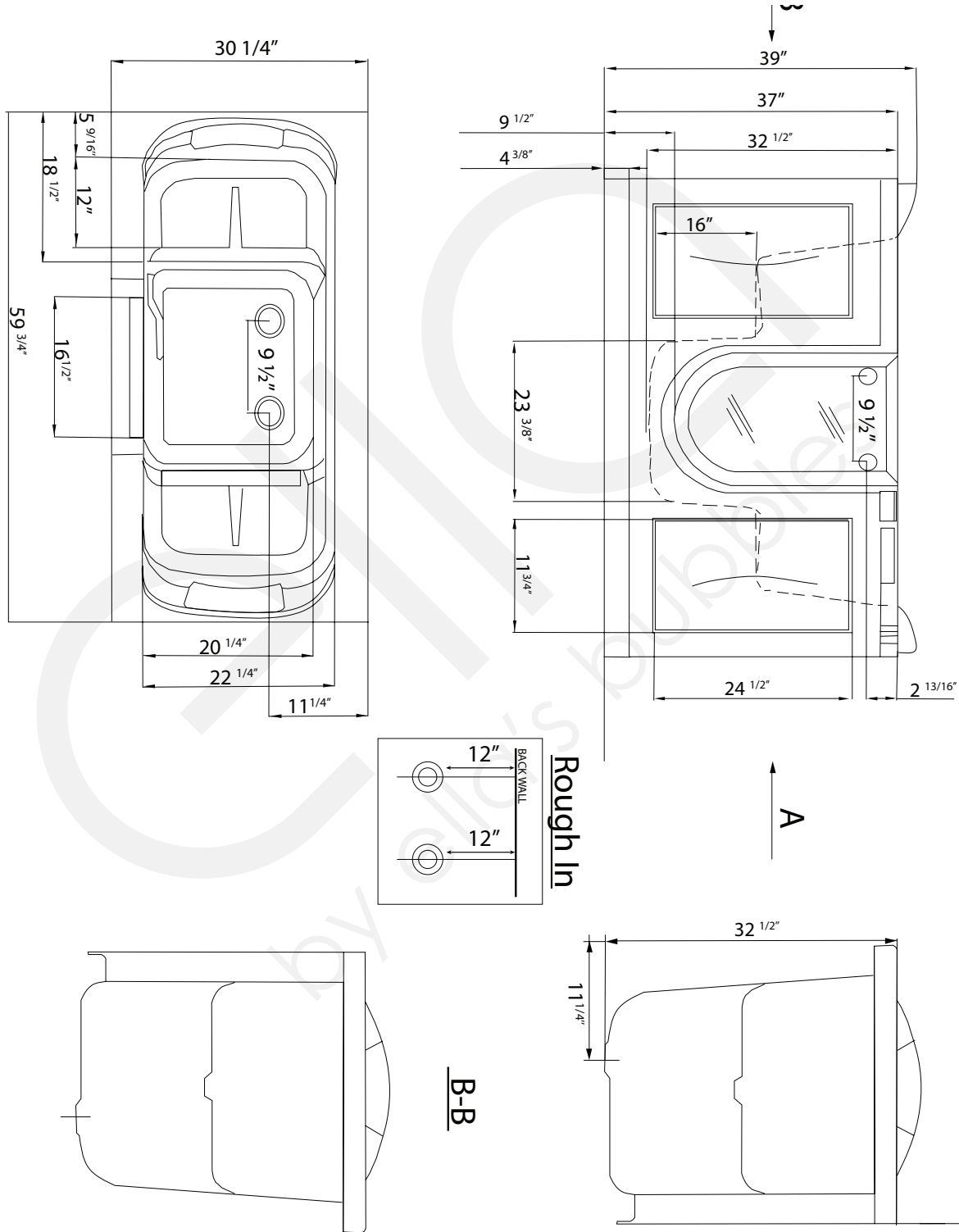


Lowered Threshold



Baseboard On  
(not supplied)

# Companion Two Seat Soaking Walk In Bathtub 03085 - Center Drain Only



Disclaimer:  
 In an effort to continually improve our product, specifications and configurations are subject to change without notice. Before ordering or installing, consider future access to essential equipment.