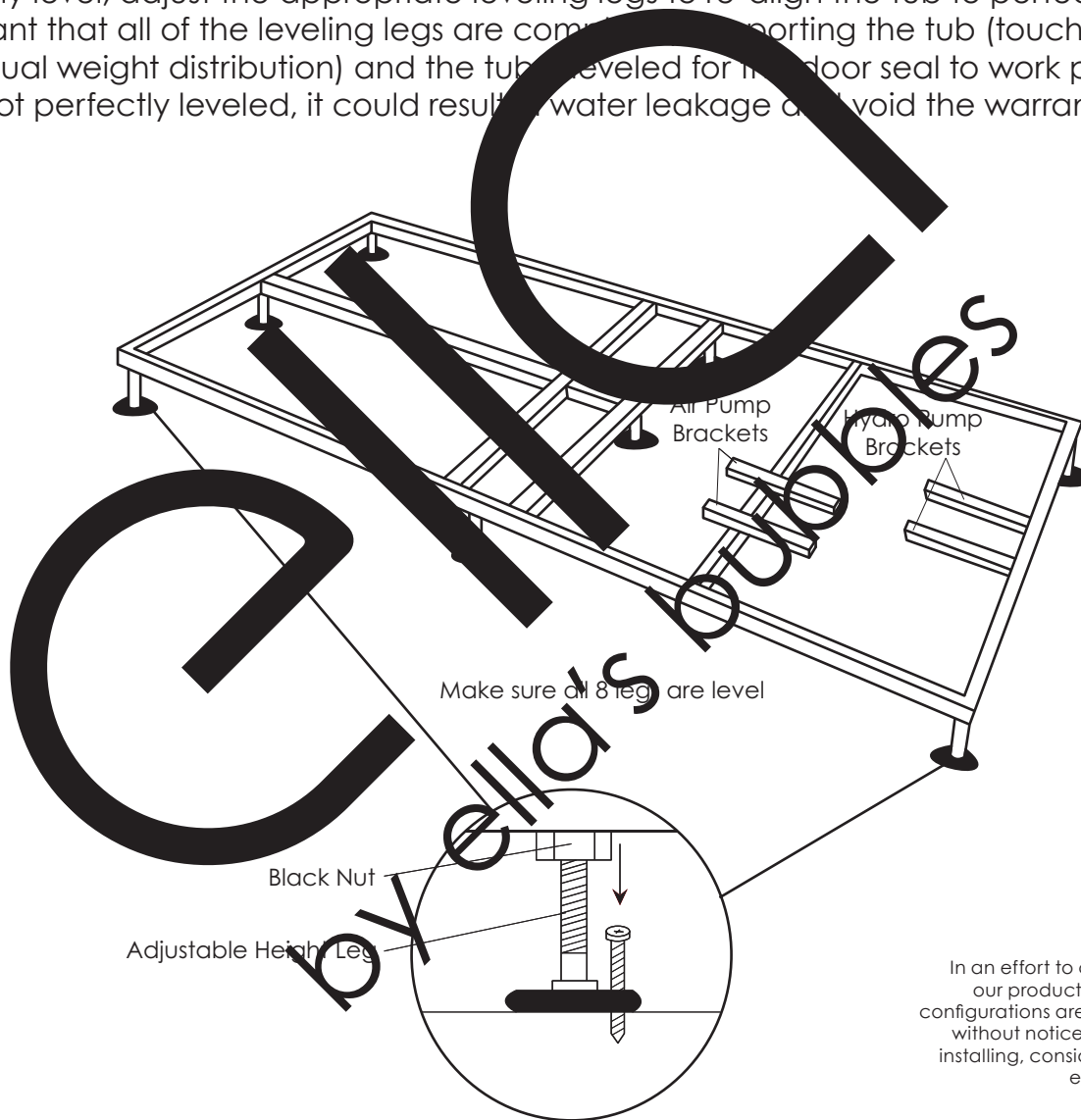


Prepare the sub-floor for the drain and ensure that the area is level. The supporting sub-floor must be able to support the total weight of the bathtub, bather and water.

Use a level and make sure that the sub-floor below the tub is leveled. If the floor is not perfectly level, adjust the appropriate leveling legs to re-align the tub to perfect level. It is important that all of the leveling legs are completely supporting the tub (touching the floor with equal weight distribution) and the tub leveled for the door seal to work properly. If the tub is not perfectly leveled, it could result in water leakage and void the warranty.



Disclaimer:
In an effort to continually improve our product, specifications and configurations are subject to change without notice. Before ordering or installing, consider future access to essential equipment.

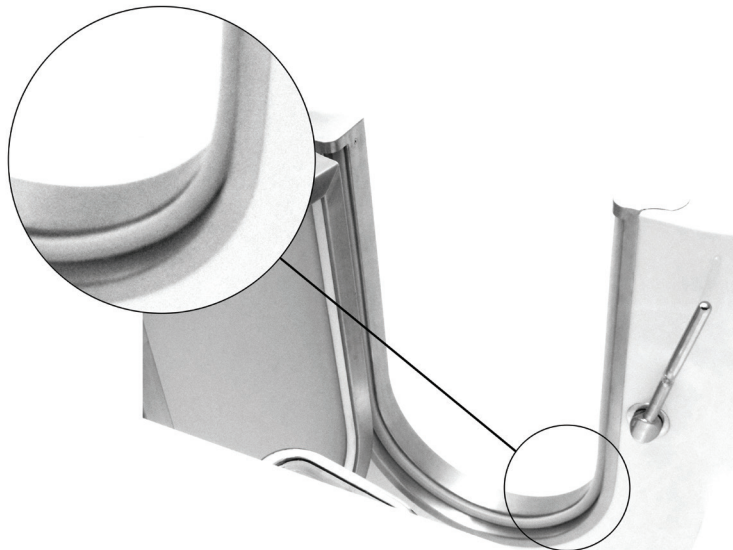
NOTE: Drawing above shows frame layout for Deluxe walk in bath. The Companion, Elite, Petite and Royal frame and drain layouts may vary. Please reference appropriate specification drawings for proper drain locations. Adjust the legs and lower the bath to within 1/16th of an inch above the floor or tile. Seal with white silicone or caulking if appropriate. If the sub-floor does not support the total weight of the bath, bather and the water, it can result in warping of the shell, misalignment of the door and/or create leaks and damages to the building structure.

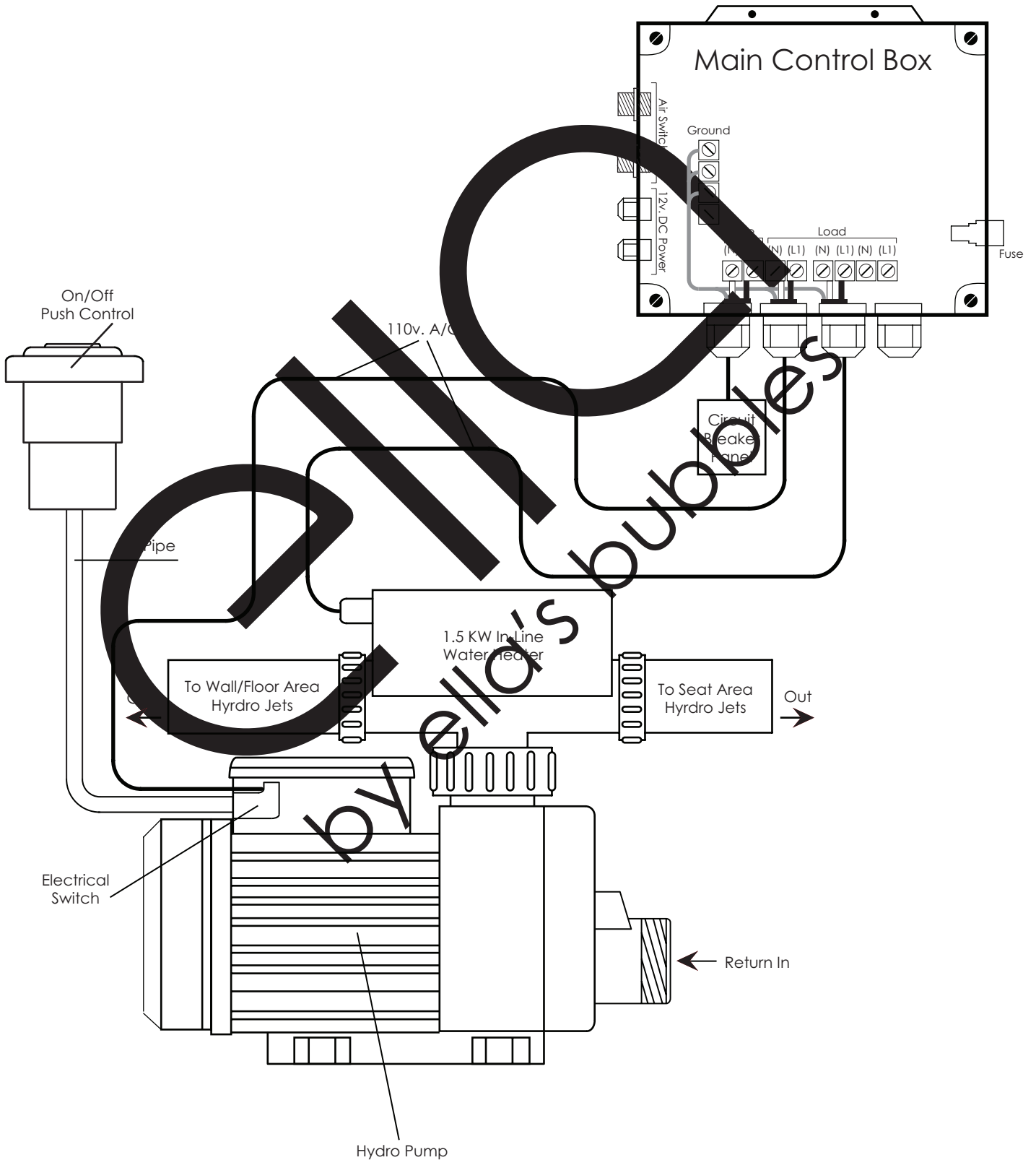
It is the responsibility of the installer or owner to provide access for service required, per code. Ella is not responsible for any costs related to obtaining access for repair. The owner shall assume responsibility for such costs, and if appropriate, must seek recovery from the installer.

Do not insulate around the tub equipment. The tub and all parts have been engineered to provide the proper ventilation. Any obstructions may cause the pumps or other electrical components to overheat.

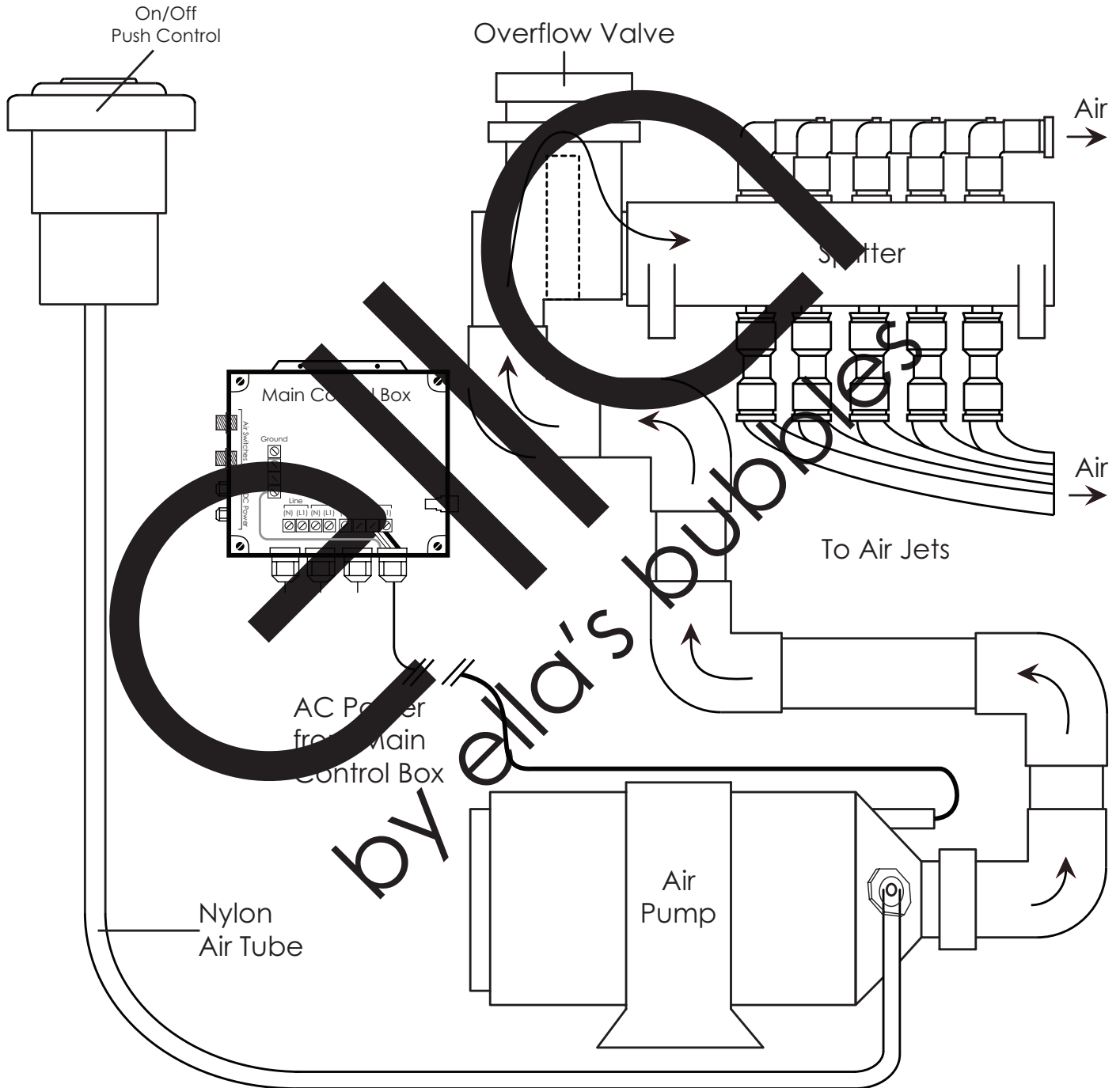
Door Seal

Please keep in mind that the door has been closed for an extended period of time throughout shipping and the bathtub has been stored in various temperatures. It is possible for the silicone seal to stick to the frame when closed for extended periods of time. When the bathtub is received, the door seals should be checked for deformations from shipping and re-formed and adjusted where necessary. To restore the door seal, the seal must be released and allowed to relax with the door open. This is done by squeezing the seal with your finger tip and pulling it away from the door frame to regain its flexibility and original form. It is recommended that the door be kept open when not in use to increase the lifetime of the door seal and maintain its flexibility.

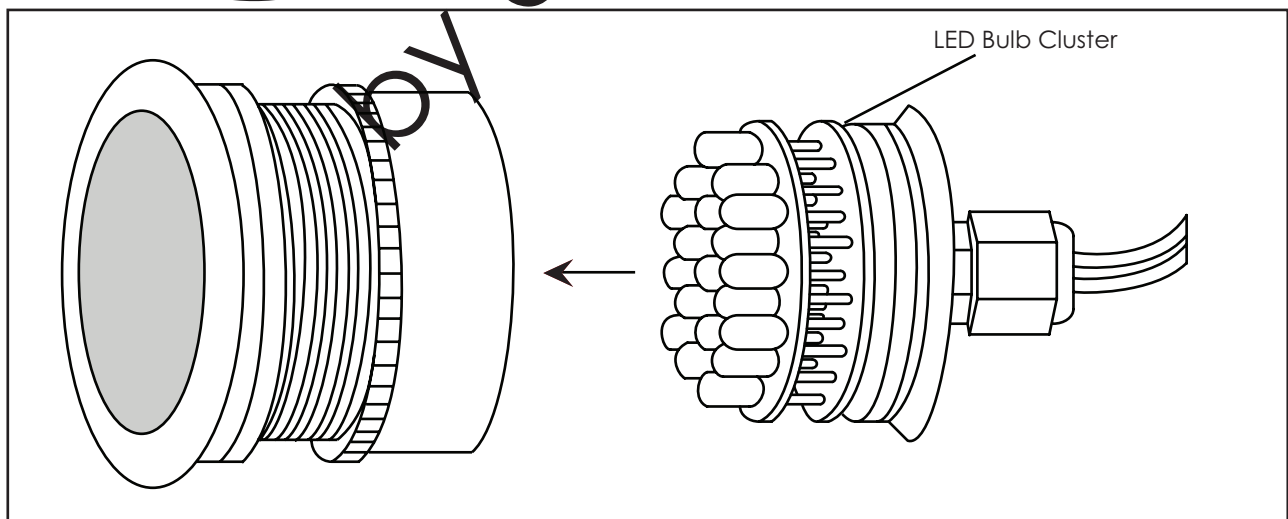
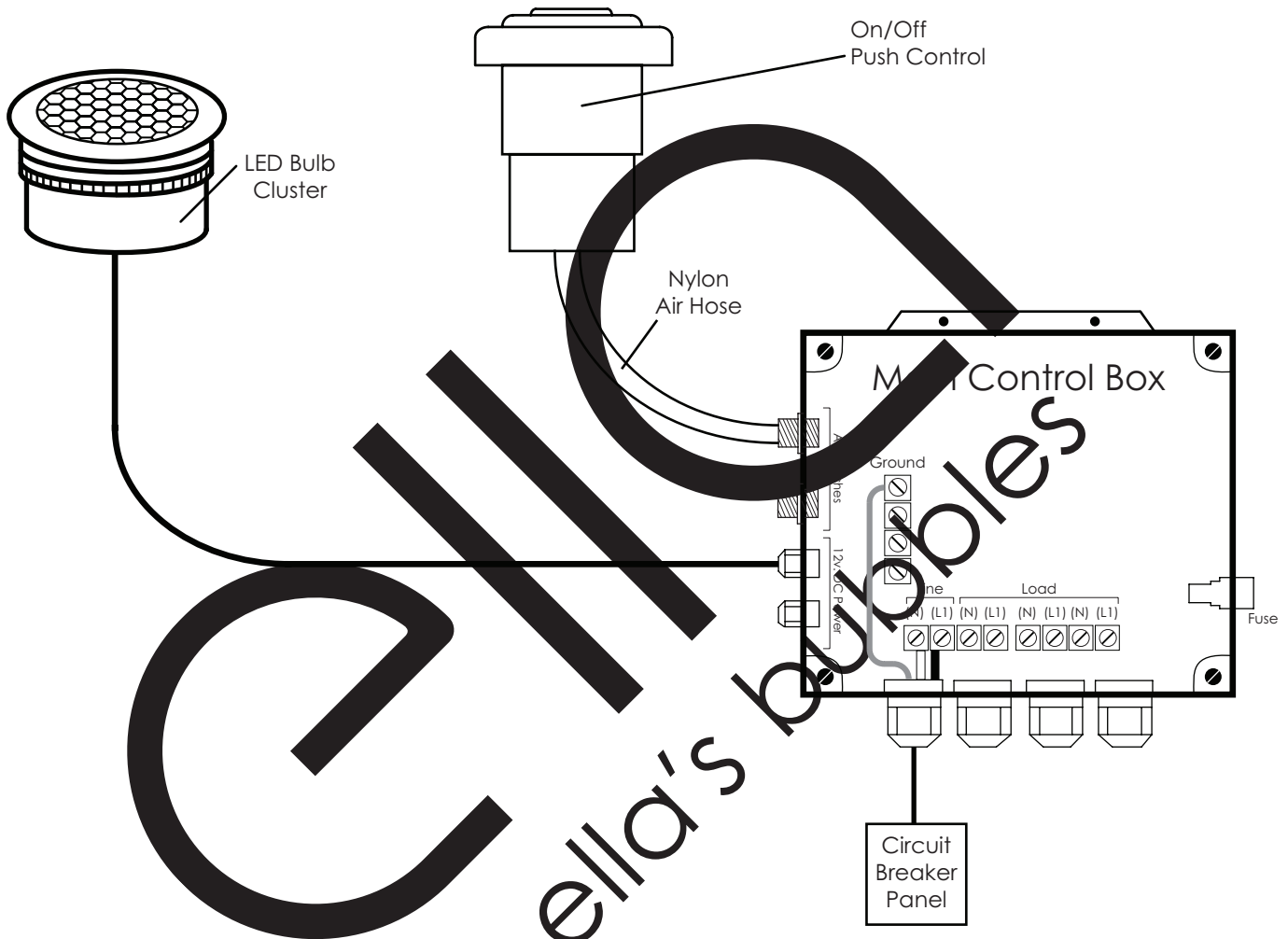




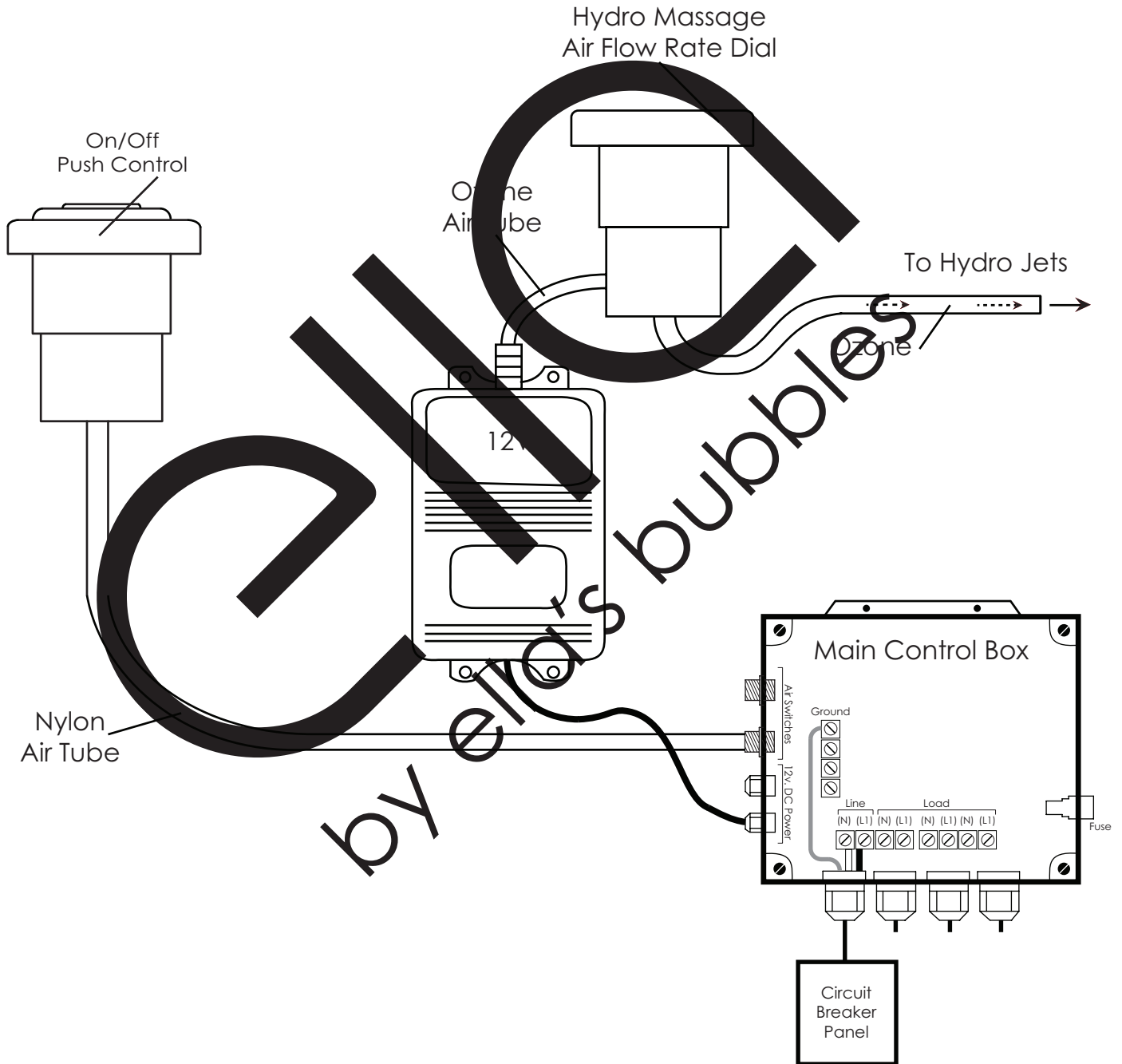
Air Massage System Diagram

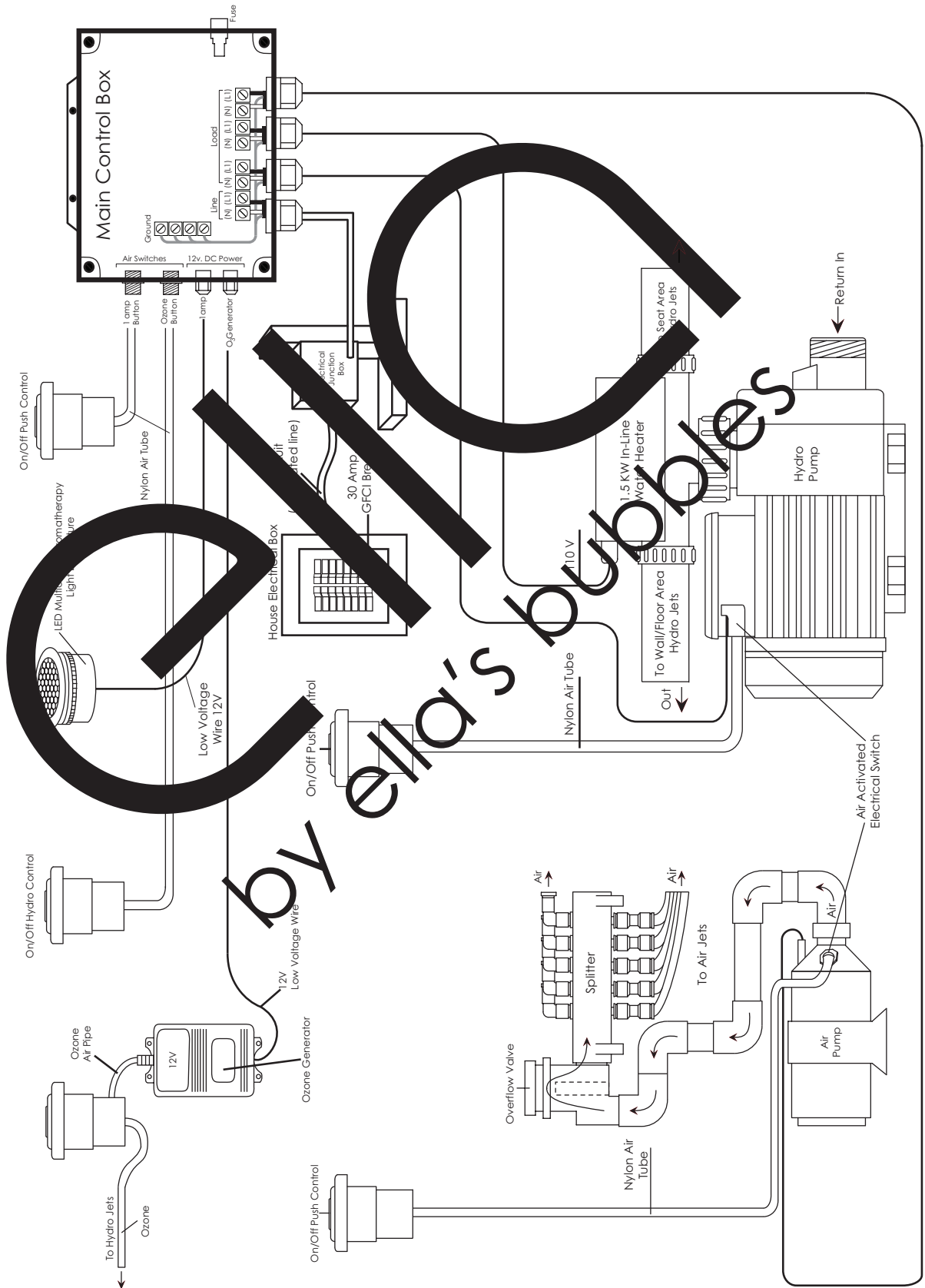


NOTE: Make sure to keep airway splitter in highest position possible.

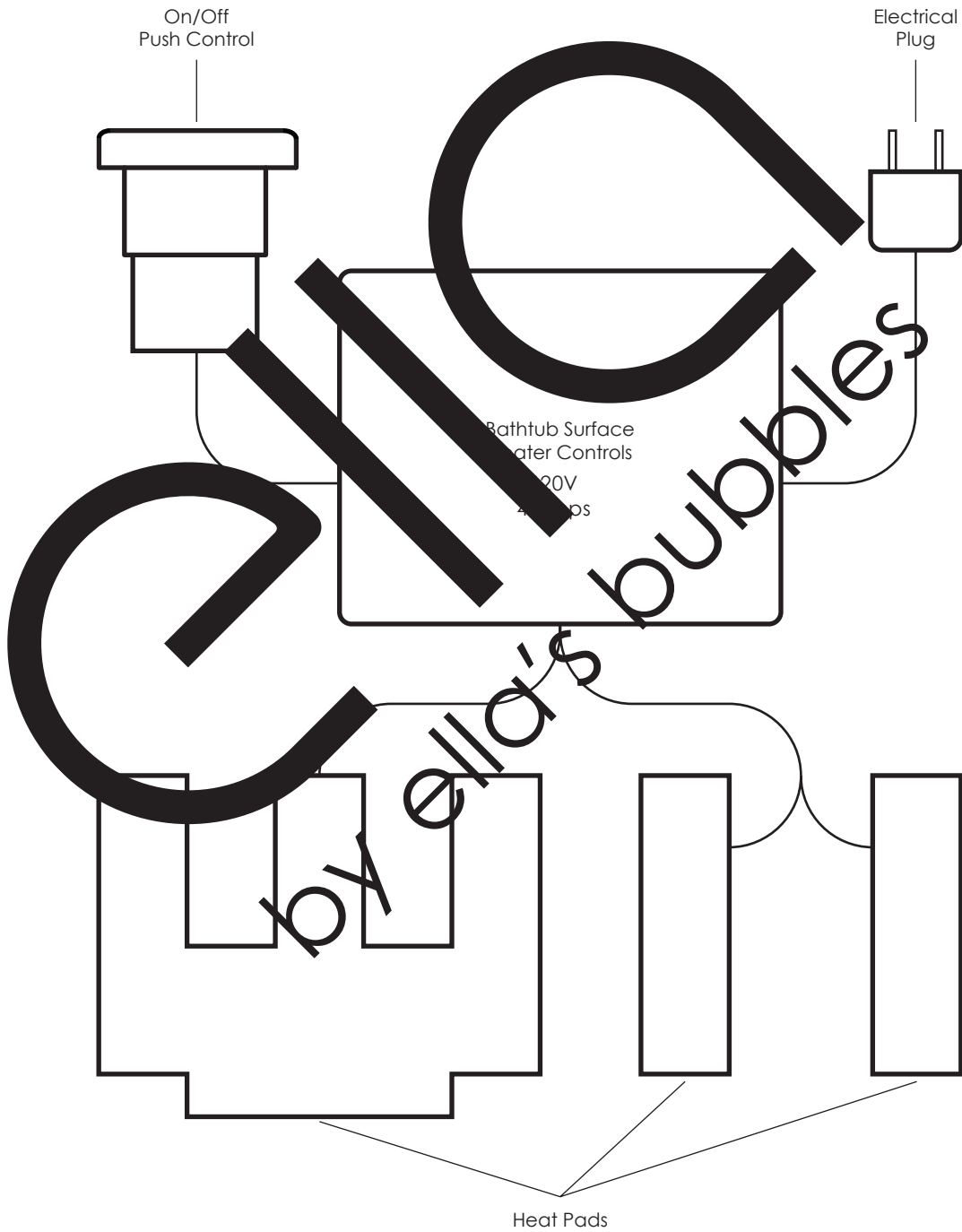


Ozone Generator System Diagram



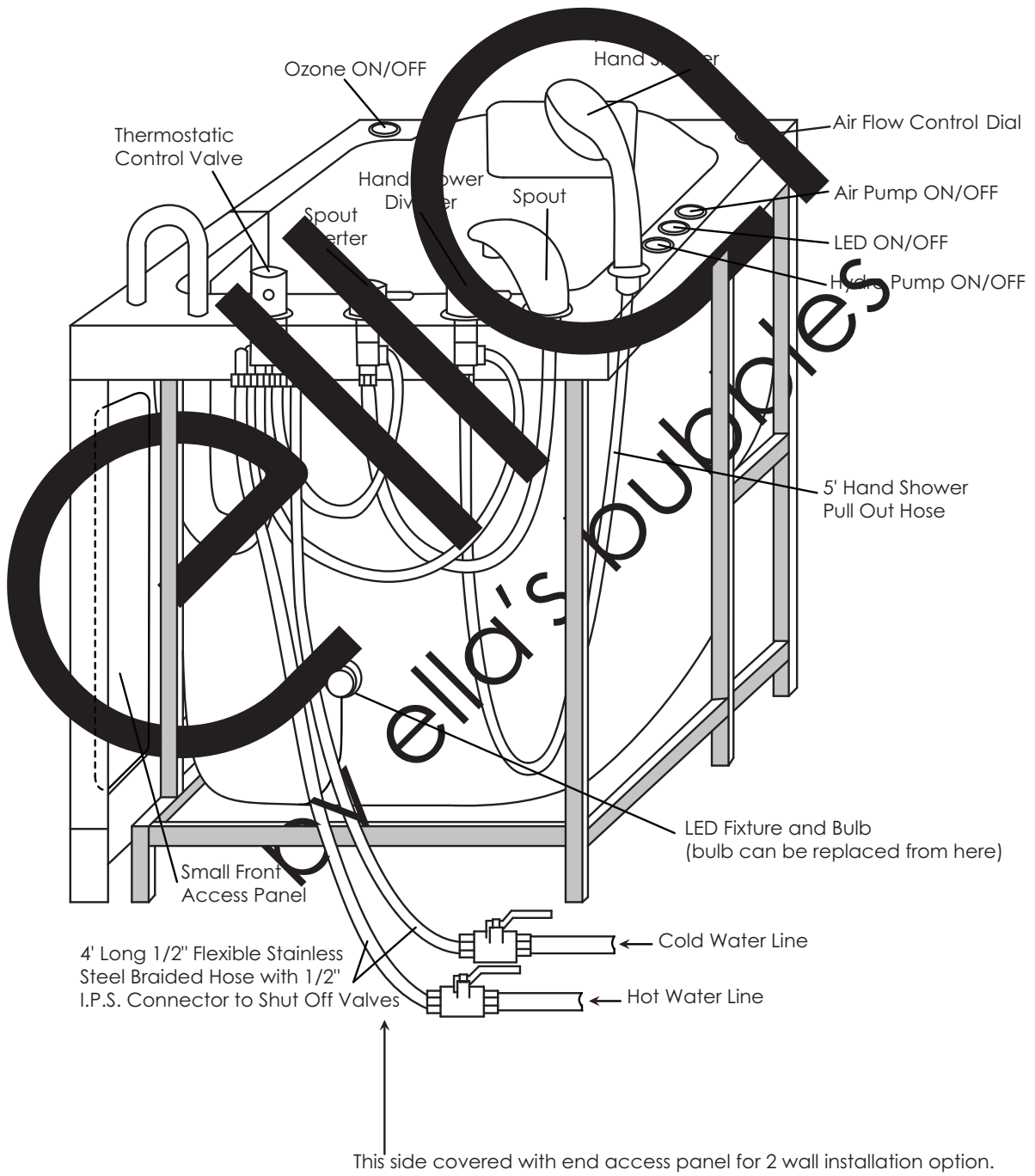


Heated Seat and Backrest System (Optional Feature)



Water Supply Lines

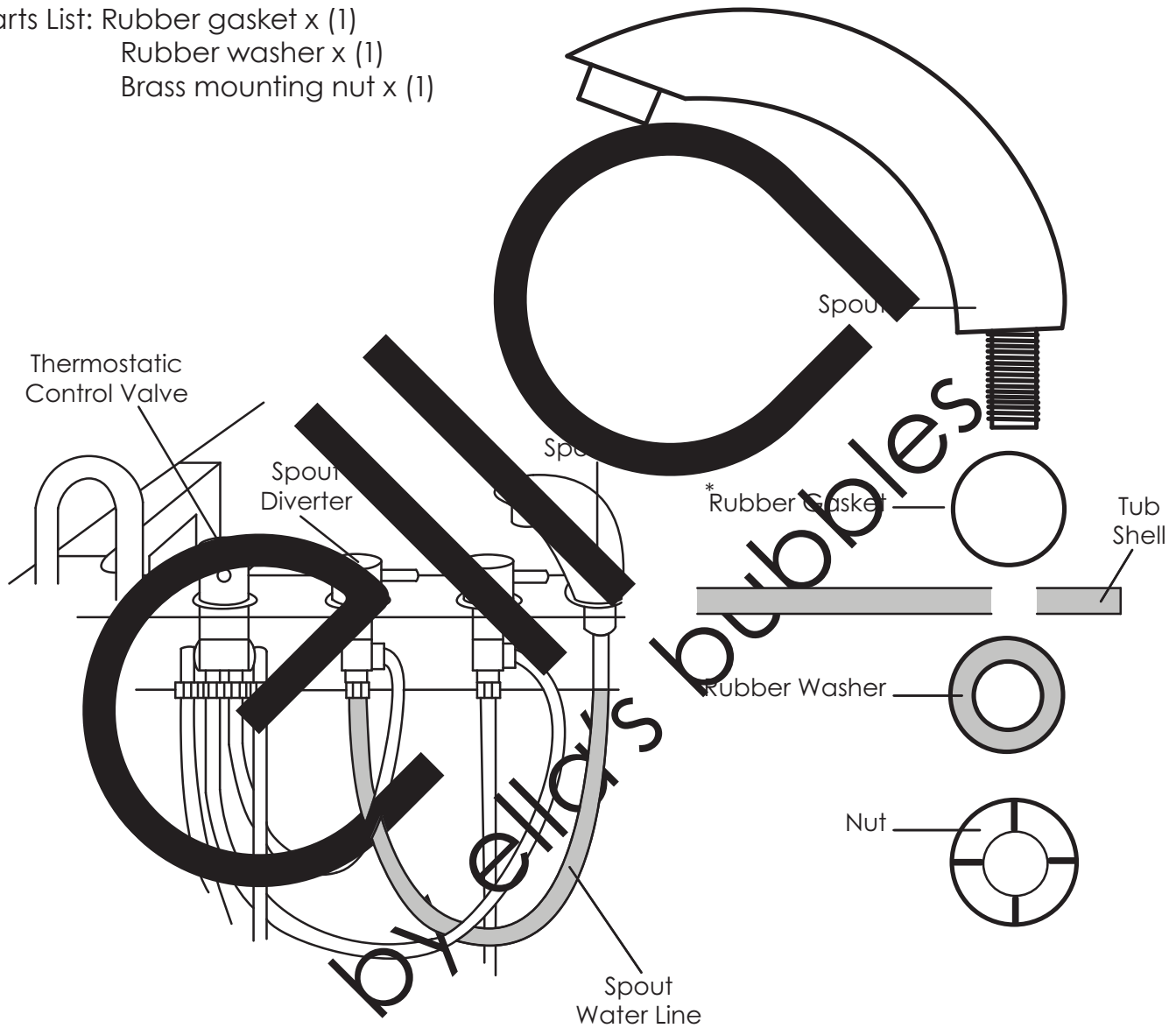
Ella Dual Massage Walk in Baths with the Standard Ella Faucet (Thermostatic Control Valve) include two 4 ft. long 1/2" I.P.S. connection flexible water supply lines. **Please note: The 5-Piece Fast Fill Roman and 5-Piece Traditional Roman Faucet Sets do not include the I.P.S. connection flexible water supply lines.**



NOTE: It is recommended that shut off valves are installed behind the opening and in reach from the small access panel.

ALWAYS INSTALL SPOUT BEFORE THE WALK IN BATH IS IN PLACE.

- Parts List: Rubber gasket x (1)
 Rubber washer x (1)
 Brass mounting nut x (1)



To Install the supplied spout, first place the rubber gasket on the bottom of the spout and make sure it is properly seated in its groove. Put the spout in through the hole in the tub shell (shown in the drawing above). Install the rubber washer and then the brass mounting nut. Locate the water line from the spout diverter and connect it to the threading on the bottom of the spout. Tighten all fittings and check for leaks.

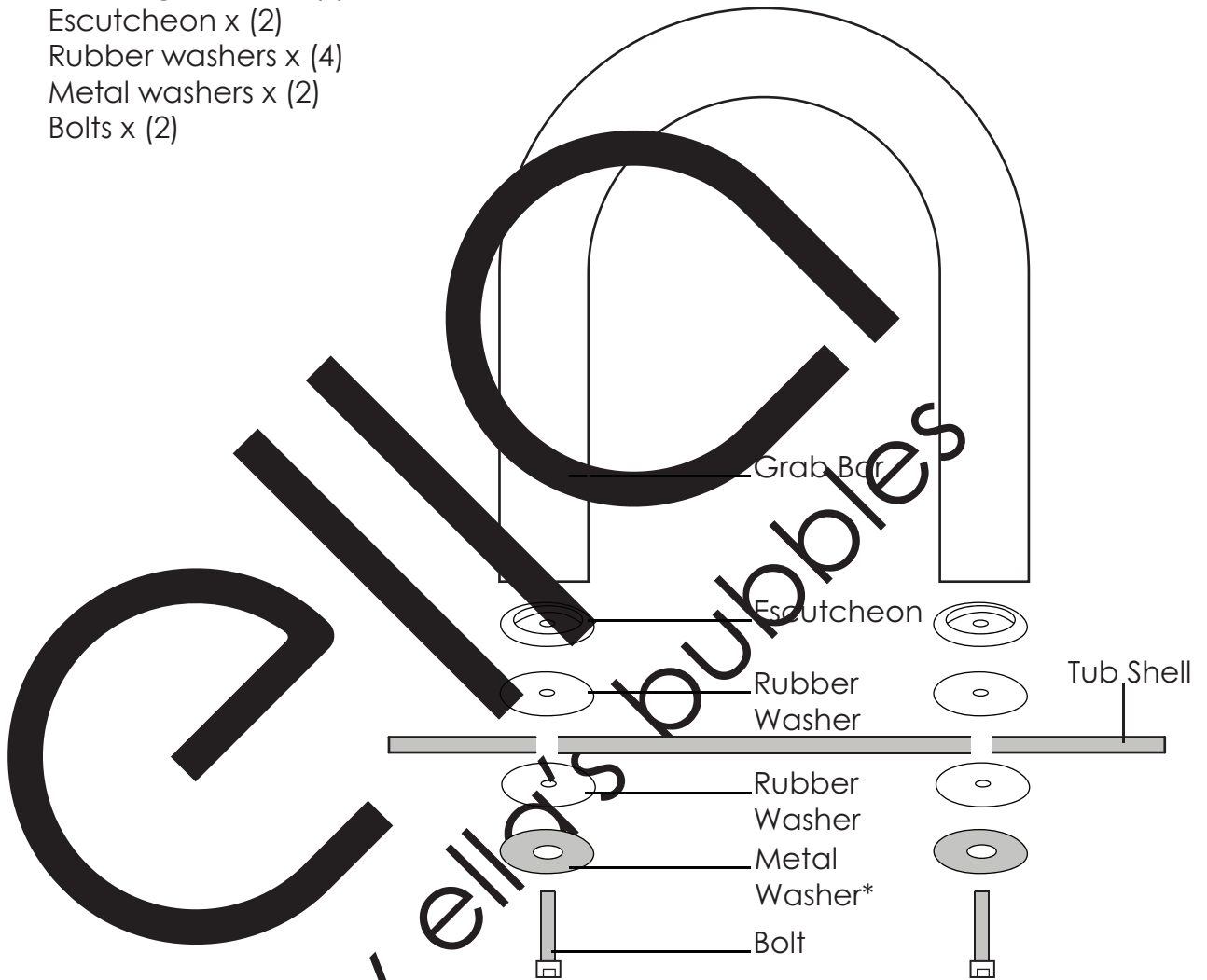
***NOTE:** Rubber gasket only comes with the Elite, Royal and Petite models. **Spout must be tightened down prior to installation of tub.**

WARNING: Do not over tighten the water supply line. To tighten properly, it should be hand tight plus about a half a turn.

Installation of Deck Mount Grab Bar



- Parts List: Chrome grab bar x (1)
Escutcheon x (2)
Rubber washers x (4)
Metal washers x (2)
Bolts x (2)

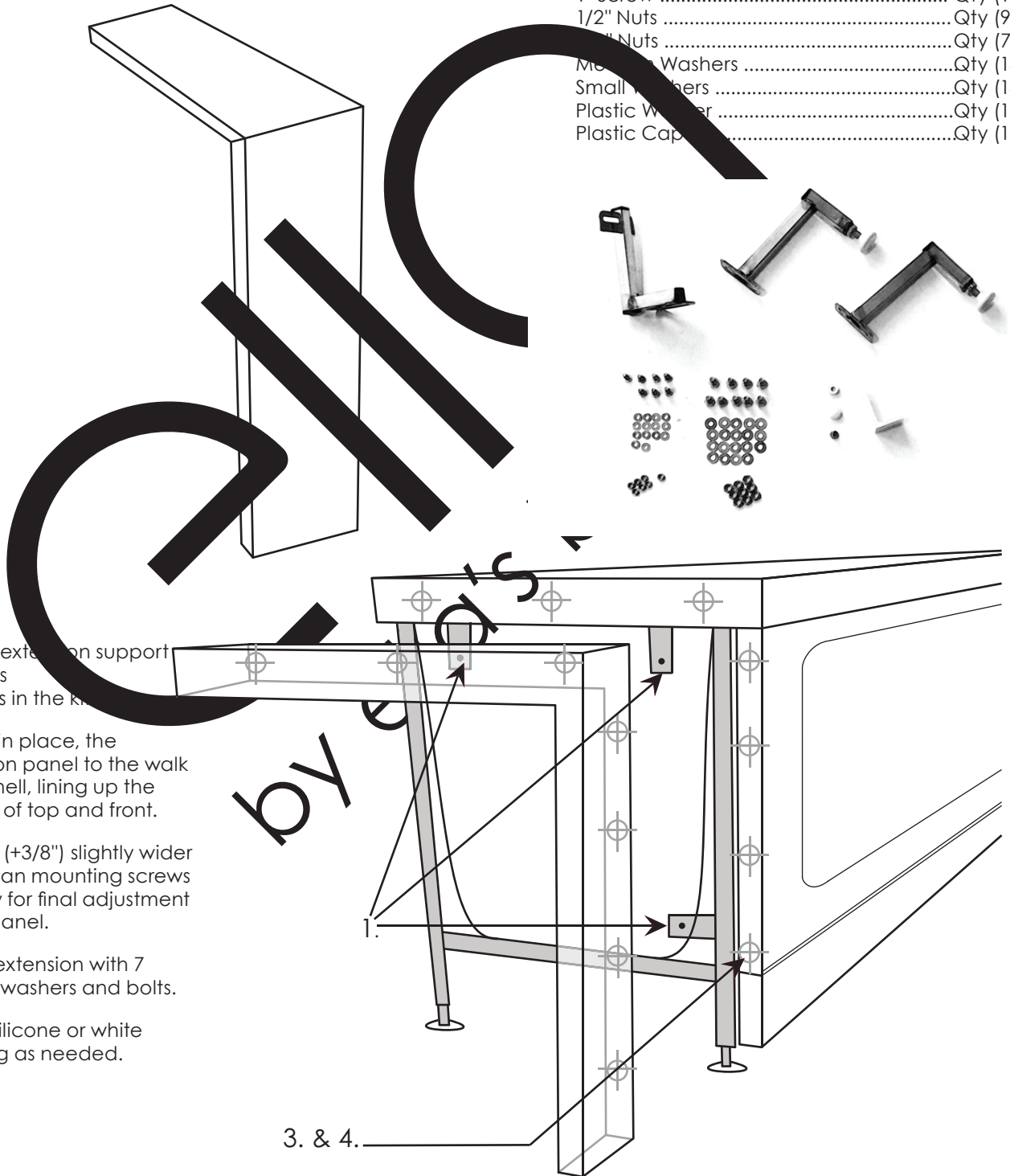


To install the supplied grab bar first locate all the parts needed for installation. See drawing shown above. Ready the bolt assembly by first placing a metal washer onto the bolt followed by a rubber washer. Feed the bolt up through the tub shell and place another rubber washer over the extruded bolt followed by the escutcheon. You may start the threading into the grab bar to hold the assembly loosely in position and then repeat the process for the second bolt. Once the entire assembly is in place, tighten the bolts with the supplied Allen wrench.

WARNING: Under no circumstances install the grab bar without the large metal washer underneath the tub shell. Doing so will leave the tub shell vulnerable to cracking and **void the warranty.**

Deluxe Dimensions: 5"W x 29 1/2"L x 37"H
 Elite Dimensions: 7"W x 29 3/4"L x 37 3/4"H
 Royal Dimensions: 7"W x 31 3/4"L x 37 3/4"H
 Petite Dimensions: 7"W x 27 2/4"L x 37 3/4"H

L" Stainless Steel Brackets	Qty (3)
L" Acrylic Bracket	Qty (1)
1" x 1/8" Bolts	Qty (7)
1" x 1/4" Bolts	Qty (7)
1" Screw	Qty (1)
1/2" Nuts	Qty (9)
1/2" Nuts	Qty (7)
Medium Washers	Qty (14)
Small Washers	Qty (14)
Plastic Washer	Qty (1)
Plastic Cap	Qty (1)

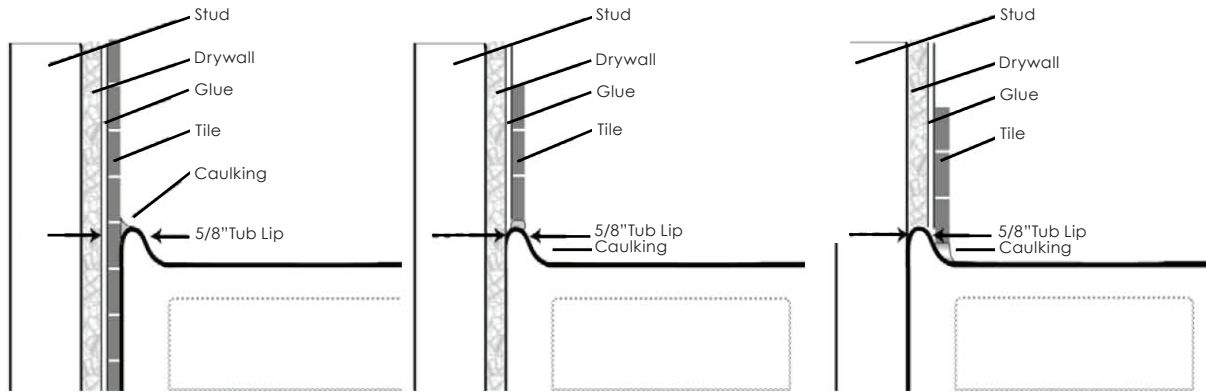


1. Install 3 extension support brackets provided in the kit.
2. Clamp in place, the extension panel to the walk in tub shell, lining up the facade of top and front.
3. Pre-drill (+3/8") slightly wider holes than mounting screws to allow for final adjustment to the panel.
4. Mount extension with 7 screws, washers and bolts.
5. Apply Silicone or white caulking as needed.

3. & 4.

The extension kit can be installed as needed. Opening can be filled as desired.

After all of the water and electrical testing is completed and all fixtures are checked, the tub can be installed to the surrounding wall or walls. Ella Walk in Baths come with low rise tile flange which allows for two or one wall installations. The extension panel of the bathtub can be installed as needed for 60" openings.



The tub can be finished as tiled over as shown in images. Caulking must be applied to joints as needed after the bathtub is installed.

Threshold Lowering Option

Lowering the threshold is an option that can be chosen during installation. Because your Ella Walk in Bath is set up for easy installation, lowering the threshold requires the drain option to be set up below the floor (Page #6). To lower the Walk in Bath threshold; First, remove the toe kick panel to expose the adjustable leg supports. Adjust the height of the tub while keeping the Walk in Bath plumb level on all four corners. Finish the installation with baseboard.



Panel On



Panel Off



Lowered Threshold

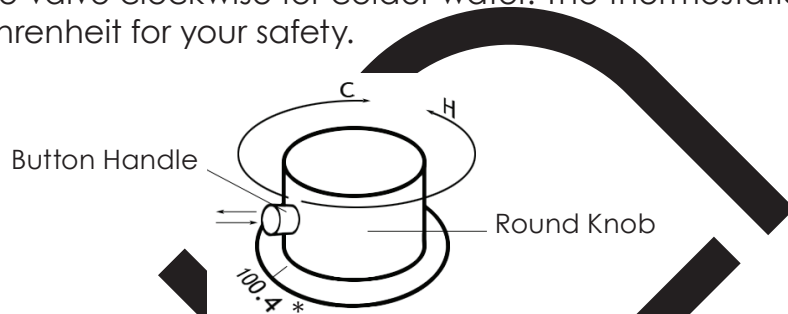


Baseboard On (not supplied)

NOTE: Any alterations or installed additions are the responsibility of the installer. Ella Accessible Bathrooms is not responsible for any damage to the unit or for water damage, which could occur due to improper installation.

1. Thermostatic Control Valve:

Before turning on the water, please adjust the thermostatic control valve to the desired water temperature. To raise the temperature above the preset 100.4 Fahrenheit, press and hold in the button handle while turning. For hotter water turn counterclockwise. Conversely, turn the valve clockwise for colder water. The thermostatic control valve is pre-set to 100.4 Fahrenheit for your safety.



**The button knob stops here at 100.4 Fahrenheit. To adjust to a lower temperature past 100.4 F, press the button knob in while turning the handle clockwise.*

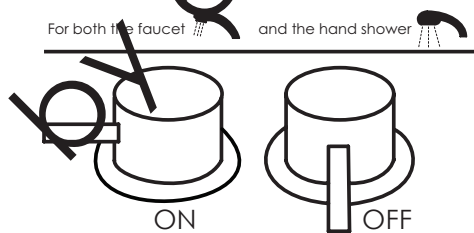
2. Using the Door:

Entering the walk in bath, the door can be closed and locked with the handle from a seated or standing position. Do not apply any body weight on the door when entering or exiting the walk in bath. The door frames are well built and are very durable, however leaning or applying weight on the door may damage and mis-align the door and create leaks. Such damages are not covered by the warranty.

3. Using the Diverter Valves:

Close the door and fill up the bathtub with water by moving the faucet diverter handle in to the ON position.

The faucet and shower head may be used individually or at the same time.



4. Using the Pull out Hand Held Shower:

To use the pullout hand held shower turn its diverter handle to the ON position. The hand held shower is equipped with a 5 ft. long retractable flex hose. The pressure of the shower can be adjusted by turning the round shower head of the hand unit.

NOTE: All Deluxe and Companion models have a protective lid. Remove lid before using your hand held shower head.

WARNING: Do NOT attach the hand held shower to the wall. This may cause water to leak behind your walk in tub.

5. Using the Hydro Massage:

To activate and deactivate the hydro massage pump, push the on/off control button (Page #9). There are two types of hydro jets in your walk in bath; adjustable and non-adjustable types. Simply push on the head of an adjustable jet and turn the head in the desired position. The in-line water heater will activate with the Hydro pump. An air flow rate control dial can be found over the shower of the soaking area. Turning the knob clockwise will reduce the amount of air introduced into the hydro system. Adjust according to personal preference.

6. Using the Air Massage

To activate and deactivate the air massage pump, push the on/off control button (Page #10). Notice, when adding cold air into the bath water it can lower the water temperature.

7. Using the Ozone Sterilization

To activate and deactivate the ozone sterilization, push the on/off control button (Page #12). Turn the ozone on for 10 minutes for every 30 minutes of tub use.

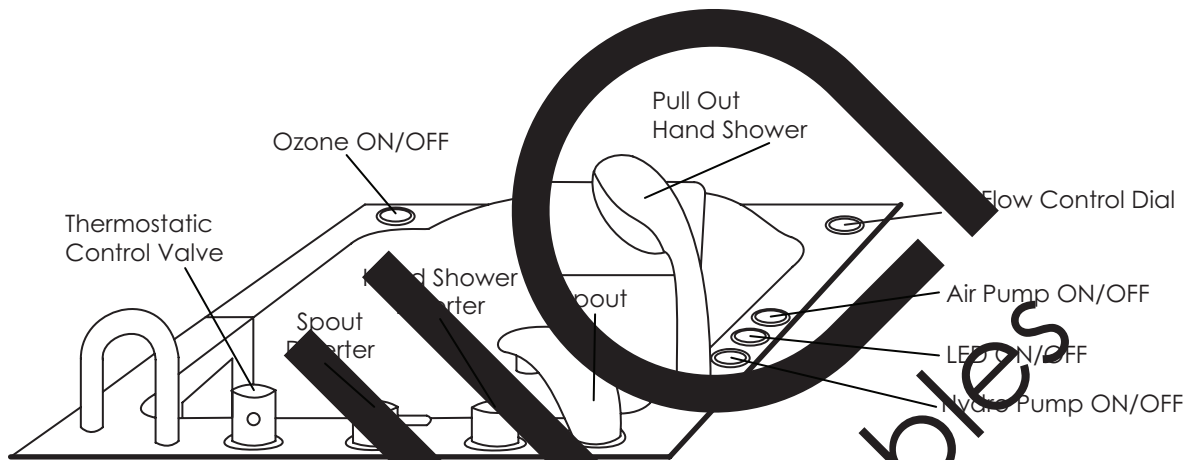
8. Using the Heated Backseat (Optional Feature)

To activate and deactivate the heated backseat, push the on/off control button (Page #14) turn on for warm while the tub is filling up and draining.

NOTE: When the other pumps (air and hydro) are off and the Ozone generator is left on, you will be able to hear the buzzing of the Ozone generator, this is normal and only needs to be turned off.

8. Using the LED system

The LED Chromatherapy light system may be controlled manually. Push the on/off control button (Page # 11).



9. Draining the Walk in Bath

To drain your Ella Walk in Bath. Begin by turning OFF the massage systems. Open each of the drains by turning the drain openers clockwise from a down position, upward one half turn until fully open. Remain in the tub until the water has dropped below the door sill.

10. Exiting the Bath

Getting out of your Ella Walk in Bath is as easy as getting in to it. Wait for the water to drain below the door sill. Lock the door by using the door handle. Fully open the door first then stand up and exit your Ella Walk in Bath.

NOTE: It is recommended to leave the door fully open when not in use to keep the door seal fresh and promote a longer lifetime for the door seal.

1. 5 Piece Contemporary Fast Fill Faucet

This chrome finished set is ADA compatible and fills a tub in 9 minutes. Fills at an average rate of 18 GPM at 60 PSI, and is compliant with ASME, IAMPO, UPC & cUPC.

2. 5 Piece Classic Fast Fill Faucet

This faucet set is made from solid brass with a polished chrome finish, and it can fill a tub in 10 minutes. It runs at an average 18 GPM at 80 PSI, and is compliant with IAMPO, UPC & cUPC.

3. Heated Seat/Backrest

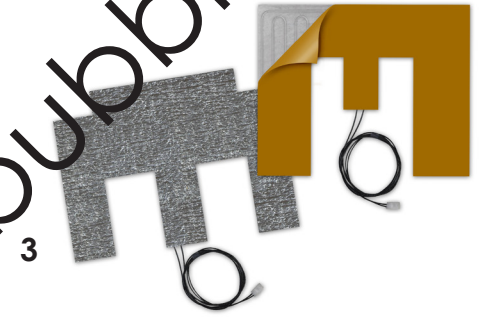
Ella offers a Heated Seat and Backrest Option for all models. These heaters can be installed at the factory for an additional fee. The heated seat and back rest can also be installed in the field with a UL Certification. Controlled by a simple keypad, the heated seat and back rest provides additional warmth while the tub is filling up and draining.

4. Seat Risers

Our seat risers are made with mildew inhibiting material. Available with and without bidet cutouts, the riser adds some height and can provide a comfortable option if the seat is too low for the bather. Includes stabilizing suction-cup tabs.

5. Headrest Pillow

Add a head and neck pillow made with soft, comfortable vinyl, and the same mildew inhibiting material as the seat risers. Choose with a supporting acrylic bracket or without one. Either option also includes stabilizing suction-cup tabs.



ella
by ella's bubbles

Recommended Acrylic Cleaners

Use only cleaning products whose labels state that they are SAFE for ACRYLIC. Always test products on a small area of skirt before applying to complete bath area.

- **White Vinegar & Water (Recommended)**
- ZEP Professional strength shower tub & tile cleaner
- Dawn dish detergent
- Rubbermaid commercial strength shower tub & tile cleaner
- Home Depot HDX shower tub & tile cleaner
- Scrub free original soap scum remover
- Kaboom shower tub & tile cleaner with oxy clean
- Simple Green all purpose cleaner (any strength)
- Simple Green lime scale remover
- Simple Green natural bathroom cleaner
- All tile products
- All Pinesol Products
- All Fragranzia Products

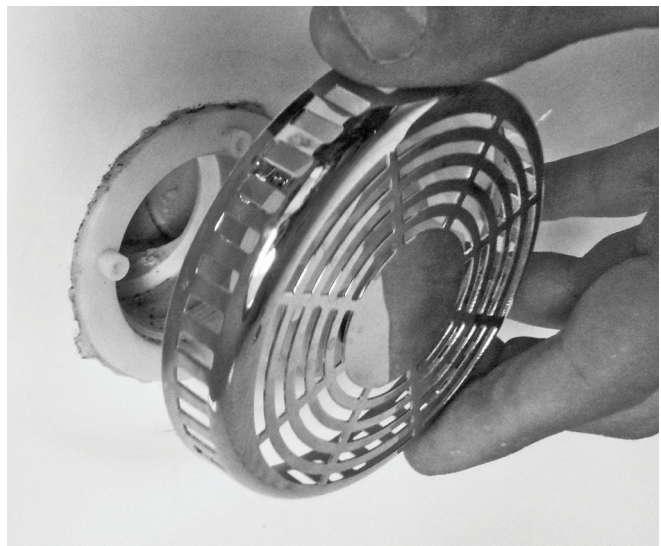
DO NOT USE the following on your

ACRYLIC Bath System. The use of the following chemicals will cause a dull surface or chemical cracks. The use of these products will VOID YOUR WARRANTY.

- Any product containing ammonia
- Dow scouring bubbles
- Abrasive Cleaners
- Ajax
- Comet
- Fantistik
- Soft Scrub
- Mr. Clean
- Polish Remover
- Scouring Pads
- Ammonia
- Tough Act
- Powder of Crystal Drain Cleaners
- Greenworks Bathroom Cleaner
- Scrub Free w/Bleach
- Seventh generation bathroom cleaner - regular
- Magic Eraser

Monthly Maintenance

It is recommended that once a month the tub is flushed. As well, with every month of normal use, clean out the pumps inlet cover (shown right) by unscrewing the cover (counter clockwise) and removing any hair and debris from the cover and housing. Remount the cover in place. Never operate the system with the cover off, as the pump creates a strong suction and damage to the pump or injury may occur.





Ella Acrylic Walk In Bath Warranty Information

This limited lifetime warranty is extended to the first purchaser to be free from defects in workmanship and material under normal use and conditions from the date of the original purchase. This warranty is nontransferable and applies only to the original owner and to the original installation place – address only and does not extend to products previously used as display models or products that have been modified or repaired by anyone else but Ella's Bubbles. The warranty is void if the ownership or original installation location is changed (tub is relocated). This warranty relates to all fittings and components included with the tub from the manufacturer. The bathtub shell, frame, door seal, and finish are covered by limited lifetime warranty. The door is covered by a limited lifetime warranty under normal use and conditions. All supporting equipment, motors, pumps, fixtures, electronic controls, faucet, waste, overflow, and all plated finishes, are covered by a limited five (5) year warranty. This warranty is nontransferable and applies only to the original owner. The finish warranty does not apply to fading, cracking, delaminating or blistering due to excessive wear, sun fading or scouring due to cleaning. This warranty shall not apply to any failure resulting from negligence, abuse, misuse, misapplication, alteration, or modification or improper maintenance. The door warranty is valid only if the alignment of the door is not changed by applying pressure or user's weight hold user's weight to the door or by wrong installation. The door is designed to hold its own weight and not designed to hold user's weight. Should service be required for any reason of any defect or malfunction of the product during the first five years, Ella's Bubbles will ship the part to the original customer's address without charge (subject to verification of the defect or malfunction). Ella's Bubbles will not be liable for any incidental expenses or material charges in connection with removal or replacement of the product or parts. Delivery time is based on parts availability and location. Normally parts are sent out immediately. Emailed or mailed photos of defective product and description of the problem is required.

All mailing notification must be sent via certified mail to:

Ella's Bubbles, LLC.
2101 S. Carpenter Street
Chicago, IL 60608
Email: info@ellasbubbles.com

The Manufacturer will not be responsible for any water damage to structures or property for any reason including but not limited to manufacturer defect or improper installation. Manufacturer will assume no responsibility for the loss of the system, inconvenience due to loss, damage to real or personal property or any other consequential damage. Manufacturer will not be liable for any incidental expenses or material charges in connection with removal or replacement of the purchased part or any part or parts of the system. This warranty shall not apply to any type of failure resulting from negligence, abuse, misuse, misapplication, improper installation, alteration or modification, chemical corrosion or improper maintenance. There will be a charge for replacement parts or replacement of the entire electrical unit of the defective unit is returned for any of the reasons listed above. Ella's Bubbles reserves the sole authority to make any type of warranties or representations concerning its products and will not be responsible for any warranties or representations made by any outside source including dealers, retailers, distributors or contractors. Ella's Bubbles does not warrant the installation of any of our products. Items include: all plumbing or electrical related connections, improper or negligent installation of the product. Alteration made of, or alterations or modifications made to the system, may cause the product or the system to malfunction. Such problems are not covered by warranty.

TO THE EXTENT PERMITTED BY LAW, ALL IMPLIED WARRANTIES INCLUDING THOSE OF MERCHANTABILITY AND FITNESS FOR A PARTICULAR PURPOSE ARE HEREBY DISCLAIMED.

Ella's Bubbles and seller hereby disclaim any liability for special, incidental, or consequential damages. Some states/provinces do not allow limitations on how long an implied warranty lasts, or the exclusion or limitation of special, incidental or consequential damages, so these limitations and exclusions may not apply to you. This warranty gives you specific legal rights. You may have other rights, which vary from state/province to state/province.



INSTALLER'S INFORMATION

Name

Address City State Zip

Telephone Email

Date Signature

Upon completing the installation of an Ella Walk In Bath, the following Warranty Activation Form must be completed, signed by both the customer and installer, and returned to Ella's Bubbles, LLC. In order for the Warranty to be activated (faxed, scanned, or emailed, or hard copy mailed).

To be initialed by the installer(s)

- ____ Tub is level in all directions and all support legs are touching the ground.
- ____ Tub is installed on a dedicated 30 Amp GFCI protected circuit using 10 gauge wire
- ____ Frame of the tub has been properly grounded.
- ____ Door Seal has been cleaned with rubbing alcohol to remove any dust or debris left over from construction.
- ____ Temperature Control Valve operated on both hot and cold settings.
- ____ Both diverters function properly.
- ____ Hand Shower functions on all settings without leaking.
- ____ All supply lines have been checked for leaks while both diverters are on.
- ____ Drains open and close properly, and the locking nut has been tightened on both stoppers.
- ____ Door seal is water tight after tub has been filled for a minimum of 20 minutes.
- ____ After running for a minimum of 20 Minutes both the Hydro and Air Pumps are functioning properly and all connections to the pumps and jets are water tight.
- ____ Chromatherapy Light and the Ozone Sterilization are working properly. (When the Ozone is on by itself it will make a light humming noise).
- ____ All drain fittings have been checked for leaks while the tub is draining.
- ____ Unit is installed with access to both plumbing and electrical connections.

OWNER'S INFORMATION

Name

Address

City

State

Zip

Telephone

Email

Date

Signature

Model: _____ Serial Number: _____

Purchase Date: _____ Purchase Price: _____

Place of Purchase: _____

Contact Name: _____ Phone Number: _____

**Copy of sales receipt must be included
with warranty activation forms.**

To activate manufacturer's warranty, please complete both pages and use one of the options below to submit.

Via mail: Ella's Bubbles, LLC.
Warranty Department
2101 S. Carpenter St., Chicago, IL 60608

Via fax: 1-312-666-3551

Via email: warranty@ellasbubbles.com