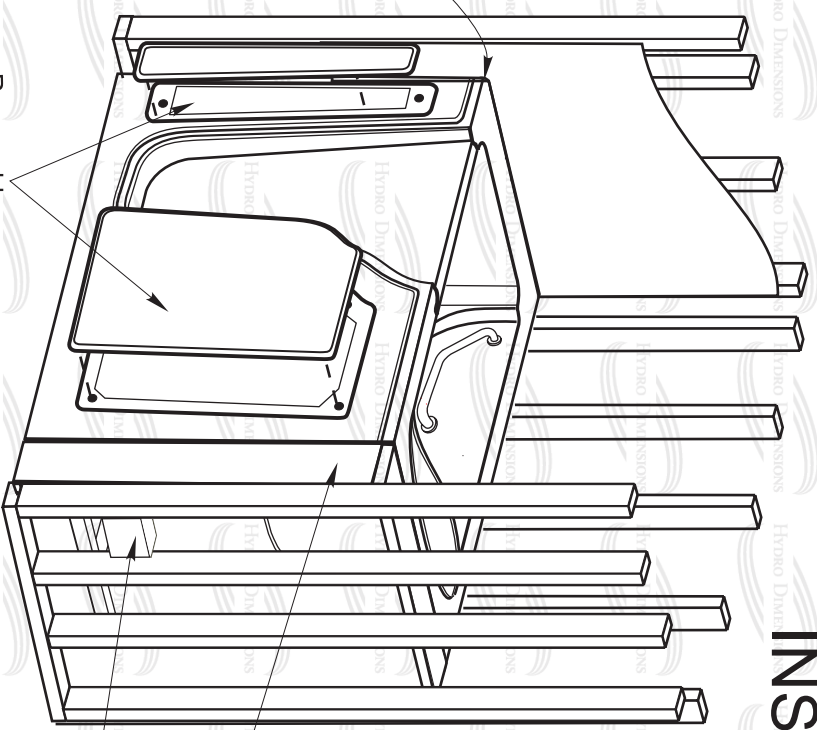
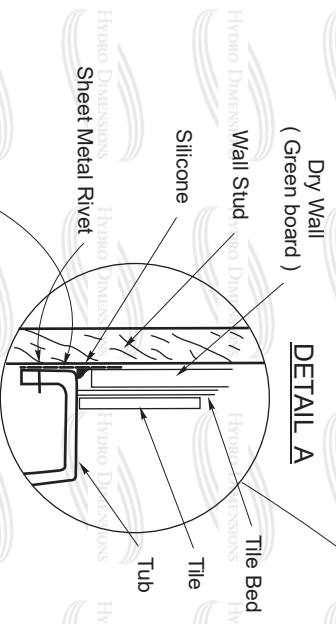




HD Series Walk-in Bathtubs Model 2851



INSTALLATION DETAILS

(75 Gal. Operating capacity)

EXTENSION PANEL INSTALLATION

- Step 1. Install mounting clips onto end of tub
- Step 2. Slide front panel "A" into mounting clips.
- Step 2. Slide top panel "B" into mounting clips.

